

FOR A CENTURY, PRIDE OF THE FARM HAS DELIVERED WATER IN RELIABLE, RUGGED DRINKERS

TODAY WE HAVE OVER 30 OPTIONS TO DO IT
NO ENERGY COST.....OR.....LOW ENERGY COST



FOR YOU. FOR YOUR FARM.
FOR A CENTURY.

Industry's Best Warranty!

- All Poly Main Components
5 Years Unconditional Warranty
- And An Additional 11 Year
- Pro-Rated Warranty
- Valve & Heater - 18 Month
- Unconditional Warranty

Six generations have known, if you want to buy it once.....buy Pride of the Farm®



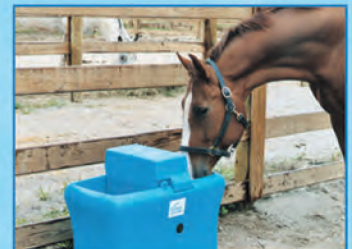
Pride of the Farm®
watered field hands
in 1923!



In 1979, Pride of the Farm® became the
first animal drinker manufacturer to use
polyurethane foam insulation.



Our first Polar-Max® 100%
Energy Free Drinker was
introduced in 1988.



In 1999, Pride of the Farm®
introduced Performance One
E-Drinkers, our series of energy
efficient, electrically heated drinkers.

SMALL RUMINANT DRINKERS

WE HAVE SEVERAL DRINKERS THAT WORK GREAT WITH SMALL RUMINANTS.

We suggest the ones shown below. Both Polar-Max 100% energy free drinkers and Performance One heated drinkers work very well for sheep, goats and other animals.



WPO6E
See page 4



WPM10A
See pages 12 & 16



WPM14A
See pages 12 & 16

KRIT-R KANTEEN™

NOW THERE'S A BETTER WAY TO PACK WATER.

OUR CANTEEN FITS COMPACTLY IN THE CORNER OF YOUR TRAILER OR TACK ROOM. TAKE IT TO THE FAIR — ANIMALS MORE READILY DRINK THE WATER TO WHICH THEY ARE ACCUSTOMED.



Lower shutoff with garden hose thread.



Vented top fill cap.

30 gallon capacity

Markers every 5 gallons are easily read through our translucent material

FDA approved poly with ultraviolet inhibitors



1" x 60" nylon strap with double ring buckle. Secure tank against a fence or the side or nose of your trailer.



Store your hose in the 6" x 8" opening of the optional base (hose not included).

Specifications

MODEL NUMBER	DIMENSIONS IN INCHES			SHIPPING WEIGHT
	CAPACITY	HEIGHT	GIRTH	
WCN30 Canteen	30 Gal.	54 3/4	16 1/4 x 16 1/4 x 16 3/4	20 Lbs
WBE30 Base		12 1/2	17 1/2 x 17 1/2 x 18	6
When the canteen is placed in the base, the height is		65 3/4		26

Shippable via FedEx, UPS & Spee-Dee



KRIT-R KOO-Z™

...A VERY SIMPLE AND EFFECTIVE WATER MANAGEMENT TOOL.
YOUR HORSE'S WATER WILL STAY WARMER UNDER COLD CONDITIONS
AND WILL STAY COOLER IN THE HEAT OF SUMMER

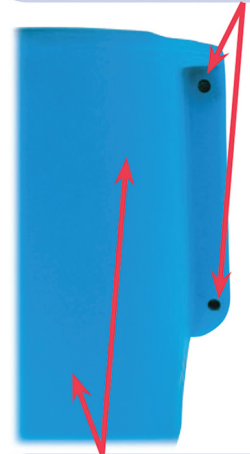


Our Krit-R Koo-Z bucket holder includes a 5 gallon bucket with a heat retention cover. The horse drinks from the "well" that is molded into the cover. Even on the coldest days, your horse should have adequate time to consume all the water it needs allowing you to monitor water consumption. Our Krit-R Koo-Z also holds standard 3 gallon and 7 gallon buckets.

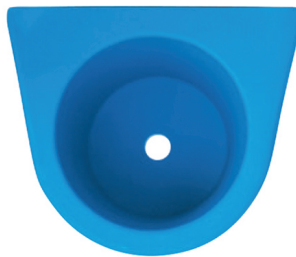


The body is foam-filled poly construction — solid and indestructible. Foam insulation with an R value of 7.5 per inch fills all sides and the bottom. The most effective ultraviolet inhibitor allows years of outdoor use as well.

Pre-formed mounting holes on an open flange allow for quick and sturdy installation. Our bucket holder stands firmly on the ground as well.



Our foam filled sidewalls are smooth. Our overall workmanship is superb.



Krit-R Koo-Z has a smooth taper to a hole in the center of the holder. This design assures total water drainage and complete clean-out reducing potential larvae hatching.

HOW EFFECTIVE IS OUR BUCKET HOLDER IN COLD WEATHER?

TEMPERATURE	BUCKET HOLDER, BUCKET AND COVER		BUCKET ONLY
	HOURS TO FIRST ICE	WATER TEMPERATURE AFTER 6 HOURS	HOURS TO FIRST ICE
20° F (-6.7°C)	17.6	49° F (9.4°C)	4.2
0° F (-17.8°C)	9.2	45° F (7.2°C)	3.1
-10° F (-23.3°C)	6.4	40° F (4.4°C)	1.9

NOTES: Test conducted with 5 gallons (18.9 liters) of water, a beginning water temperature of 59° F (15° C), no drinking activity, no wind chill.

Specifications

We've Been Selling Automatic Drinkers for Decades but We're Proud of our Bucket as Well!

MODEL	COLOR	SIZE INCHES (cm)			SHIPPING WEIGHT Lbs. (kg)
		OVERALL WIDTH	OVERALL DEPTH	OVERALL HEIGHT	
WBH5R Bucket Holder, Bucket and Cover	Red	18 (45.7)	15 (38.1)	17 (43.2)	15 (6.8)
WBH5B Bucket Holder, Bucket and Cover	Blue	18 (45.7)	15 (38.1)	17 (43.2)	15 (6.8)

Shippable via FedEx, UPS & Spee-Dee



SMALL ANIMAL UTILITY DRINKERS



WPD20

DURAPRIDE® Model WPD20 20 Gallon Utility Drinker

- Liftoff tank for easy cleaning and float access
- 14" (35.6 cm) of vertical headroom can accommodate most small animals and pigs up to 40 lbs. (18.2kg)
- 6 – 4.5" (11.4 cm) drink openings
- 3/4" (1.9 cm) plug for clean out
- Gallon markers (from 12 to 20 gallons in 1 gallon increments)
- All poly with the most effective ultraviolet inhibitor added
- An Excellent Way to provide Medicated Water for your Animals

DURAPRIDE® Model WFD85 85 Gallon Field Drinker

- 4 Notched flanges for easy anchoring
- 2 Drink openings--15" (38.1 cm) H x13.3" (33.8 cm) Wx8" (20.3 cm) Deep
- 1– 2" (5.1 cm) drain in each drink opening
- 304 Stainless steel bite guards
- All poly with the most effective ultraviolet inhibitor added
- 100 Hog capacity
- An Excellent Way to provide Medicated Water for your Animals



WFD85

Specifications

MODEL NUMBER	CAPACITY	WIDTH	LENGTH	DRINK HEIGHT	OVERALL HEIGHT	SHIPPING WEIGHT
WPD20	20 Gal. (75.7 liters)	14" (35.6 cm)	26" (66.0 cm)	3" (7.6 cm)	22.5" (57.2cm)	20 lbs. (9.1 kg)
WFD85	85 Gal. (322 liters)	Base Dia. 34.5" (87.6 cm)	Tank Dia. 32" (81.3 cm)	8" (20.3 cm)	35.8" (90.9 cm)	58 lbs. (26.4 cm)

Minimal assembly. WPD20 shippable via FedEx, UPS or Spee-Dee. WFD85 truck only.

OPTIONAL ACCESSORIES

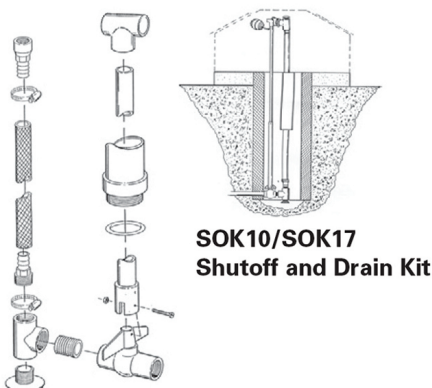
Shutoff and Drain Kits

For Models WPO6 and WPO17 - Use Model SOK17.

For All **POLAR-MAX®** 100% Energy Free Models - Use Model SOK10.

Kits consist of a ball valve, king drain, PVC fittings for top shutoff, braided hose and stainless clamps.

Our shutoff kits are not designed for use with Model WPO1.



SOK10/SOK17
Shutoff and Drain Kit

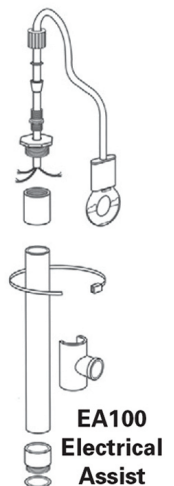


Anchor Package

For permanent installations, order optional, Model 383344 Anchor Package. Four anchor bolts, washers and nuts (all stainless steel). We suggest you use Permatex anti-seize compound – or equivalent – on the threads.

Electrical Assist

Our Model EA100 Electrical Assist can be added to our energy free models where you want to occasionally use a heater because you only have say 1-2 animals using the drinker (and at other times, you have several animals drinking and want the benefit of energy free operation). 110 V, 250 Watts



EA100
Electrical
Assist

